

PS3085 Features

- 12VDC 3.0A regulated power supply
- Stand-by battery
- AC Trouble output
- Low Battery output
- Battery Test output
- Automatic shutdown to prevent deep battery discharge
- Self-resetting solid state over current protection devices eliminate the need for replacement fuses
- Selectable battery charging rates: 500mA or 2.0A

PS3085 Specifications

- Transformer required: 16.5VAC 40 VA, 80VA or 120VA transformer
- Output:
12VDC 1.5A maximum (power supply and battery charge current) with 40VA transformer
12VDC 3.0A maximum (power supply and battery charge current) with 80VA or 120VA transformer
- AC Trouble, Low Battery and Battery Test Outputs: 50mA maximum, switched to ground through 100Ω resistor
- Battery Charge Current: 500mA or 2.0A
- Dimensions: 145mm L × 83mm W × 56mm H over heat sinks
5.7" L × 3.3" W × 2.2" H over heat sinks

Mounting the Power Supply

We suggest that the PS3085 and the stand-by battery be mounted in a cabinet; the DSC DLC-1 cabinet features mounting holes designed for the PS3085. From the back of the cabinet, press circuit board stand-offs into the appropriate holes and mount the cabinet. With the cabinet in place, secure the PS3085 to the stand-offs. If stand-offs cannot be used, double-sided foam tape may be used to mount the PS3085. Ensure the foam tape is thick enough to raise the PS3085 away from any conductive surface.

Operation

The **ACT Terminal** activates when there is an AC failure, and the **LBT Terminal** activates when there is a low battery condition. On activation, these terminals switch to ground at 50mA maximum. These outputs may be used to activate an indicating device, such as an LED, or a relay to activate devices requiring more current.

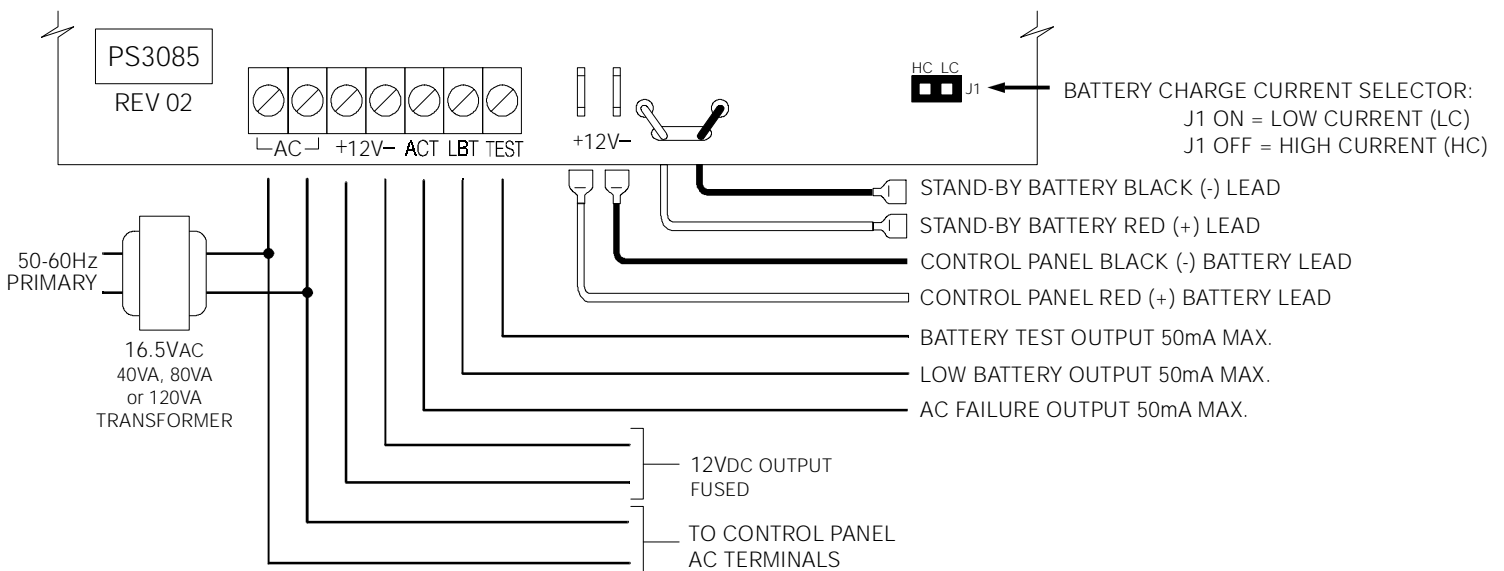
The ACT and LBT terminals may also be connected to a control panel alarm zone to generate an alarm and to have the system report the trouble condition. To report AC failure and low battery conditions with individual reporting codes, connect the ACT and LBT to individual alarm zones. The ACT and LBT terminals may also be connected to a single alarm zone; when so connected, both trouble conditions will be reported with a single reporting code.

The **TEST Terminal** activates during the automatic battery test. A battery test is performed every 4 minutes. During the test, the AC power is lowered and the TEST terminal is activated for 40 seconds. The TEST terminal may be used to activate an indicating device, such as an LED. An RM-1 relay may also be connected to the TEST terminal to switch a load into the power supply during the battery test. The test load should be of a resistance sufficient to test the battery under the expected maximum load.

Battery Charge Current

Select the battery charge current using jumper "J1".

Jumper Setting	Charge Current	Transformer Required	Battery Size
LC	500mA max	16V 40VA	4 to 7Ah
HC	2.0A min	16V 80VA or 120VA	7Ah and larger



LIMITED WARRANTY

Digital Security Controls Ltd. warrants that for a period of twelve (12) months from the date of purchase by the original buyer, the product shall be free of defects in materials and workmanship under normal use and that fulfilment of any breach of such warranty, Digital Security Controls Ltd. shall, at its option, repair or replace the defective equipment upon return of the equipment to its factory. This warranty applies only to defects in parts and workmanship and not to damage incurred in shipping or handling, or damage due to causes beyond the control of Digital Security Controls Ltd. such as lightning, excessive voltage, mechanical shock, water damage, or damage arising out of abuse, alteration or improper application of the equipment.

The foregoing warranty shall apply only to the original buyer, and is and shall be in lieu of any and all other warranties, whether expressed or implied and of all other obligations or liabilities on the part of Digital Security Controls Ltd. This warranty contains the entire warranty. Digital Security Controls Ltd. neither assumes, nor authorizes any other person purporting to act on its behalf to modify or change this warranty or liability concerning this product.

In no event shall Digital Security Controls Ltd. be liable for any direct, indirect or consequential damages, loss of anticipated profits, loss of time or any other losses incurred by the buyer in connection with the purchase, installation or operation or failure of this product.

WARNING: Digital Security Controls Ltd. recommends that the entire system be tested on a regular basis. However, despite frequent testing, and due to, but not limited to, criminal tampering or electrical disruption, it is possible for this product to fail to perform as expected.

